

## VIBRATING SCREEN FOR POWDER

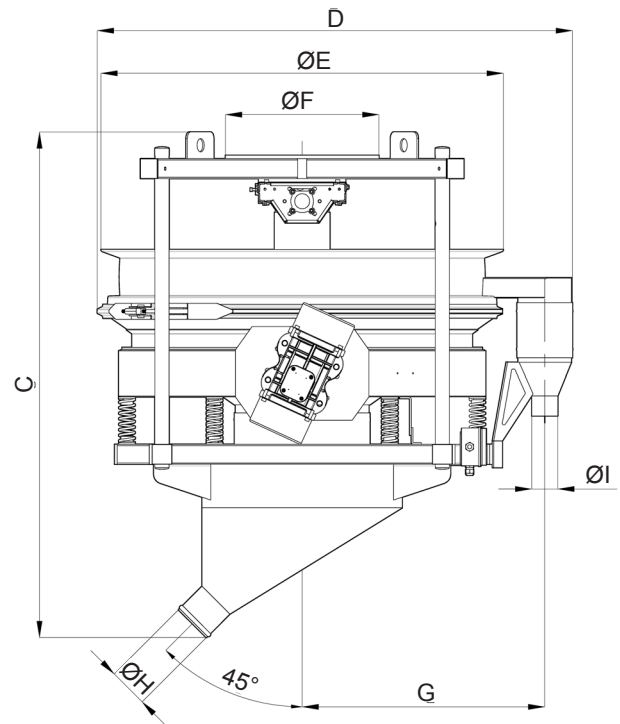
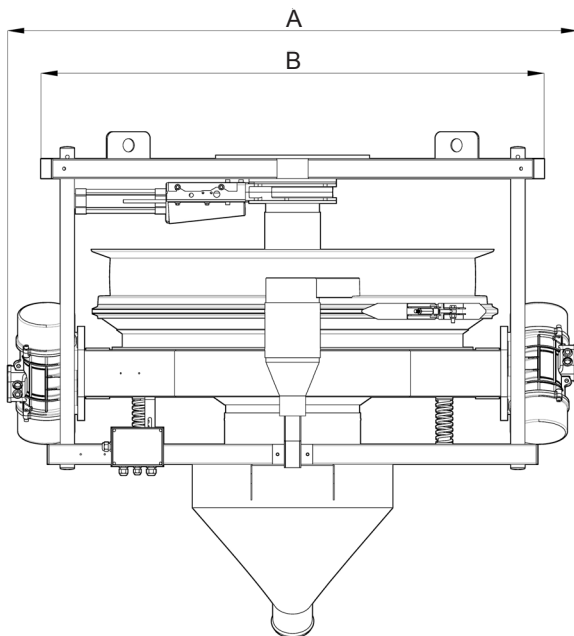
VBA2 800-900-1200

## TECHNICAL FEATURES

DATA	U.M.	800	900	1200
Power	KW	0,3+0,3	0,62+0,62	0,62+0,62
Centrifugal force	N	8378	13165	13165
Number screening nets	No.	1		
Screening surface	m <sup>2</sup>	0,360	0,587	0,932
Motorised vibrator	Type	MVE 400	MVE 700	MVE 700
Weight	N	1472	3237	3728

## STRUCTURAL FEATURES

- Self-supporting structure, ready to be fastened to the press-feeding hopper.
- Fully open base for easy drainage
- Fully automatic and independent operation.



Mod./Size	A	B	C	D	ØE	ØF	G	ØH	ØI
800	1365	1175	1320	1020	796	460	510	118	78
900	1490	1510	1495	1210	992	460	615	118	78
1200	1708	1510	1515	1425	1206	460	727	118	78

## USE

- Press supply atomised powder screening.

## ACCESSORIES

- Mesh cleaning system.

The information is approximate - The guaranteed values are released by Vibrotech s.r.l. on request-It is forbidden to reproduce the document even partially.