

## VIBRATING SCREEN FOR POWDER AND LIQUIDS

VB2 800 - 900 - 1200 - 1500 2/X

## TECHNICAL FEATURES

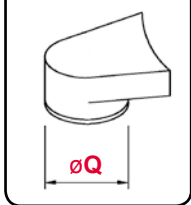
DATA	U.M.	800	900	1200	1500
Number screening nets	n.	2			
Screening surface	m <sup>2</sup>	0,360+0,360	0,587+ 0,587	0,932+0,932	1,575+ 1,575
Power	kW	0,3+0,3	0,62+0,62	0,62+0,62	0,9+0,9
Centrifugal force	N	8378	13165	13165	27566
Motorised vibrator	Tipo	MVE 400	MVE 700	MVE 700	MVE 1400
Weight	kg	166	213	322	542

## STRUCTURAL FEATURES

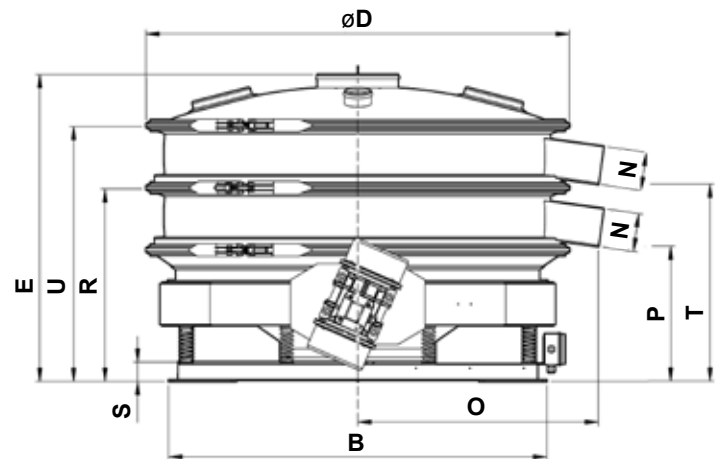
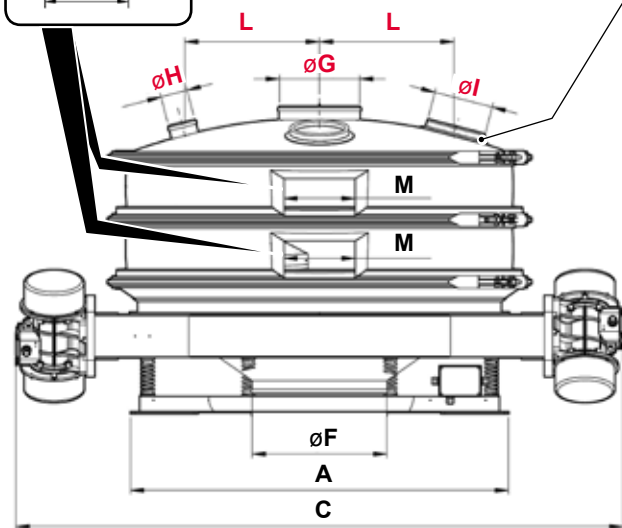
- Open base with discharge outlet connected to the power feed.
- Lateral motor vibrators, IP65 protection rating, certified ATEX zone 22
- Parts in contact with product: AISI 304 stainless steel
- RAL 7035 painted carbon steel frame



optional



optional



Mod./Size	A	B	C	ØD	E	ØF	ØG	ØH	ØI	L	M	N	O	P	ØQ	R	S	T	U
800 1/X	740	839	1365	800	640	300	200	100	1X200	244	140	30	510	260	150	397	55	400	540
900 1/X	857	970	1490	992	850	400	200	100	1X200	275	140	30	608	429	160	573	159	580	723
1200 1/X	1039	1180	1708	1210	1080	400	200	100	2X200	420	265	140	725	473	160	691	126	703	920
1500 1/X	1403	1403	2253	1550	1167	500	300	100	3X200	500	265	140	893	527	200	745	98	757	975

## USE

- Powder screening
- Sprayer discharge outlet
- Press feed
- Mill discharge outlet

The information is approximate - The guaranteed values are released by Vibrotech s.r.l. on request-It is forbidden to reproduce the document even partially.